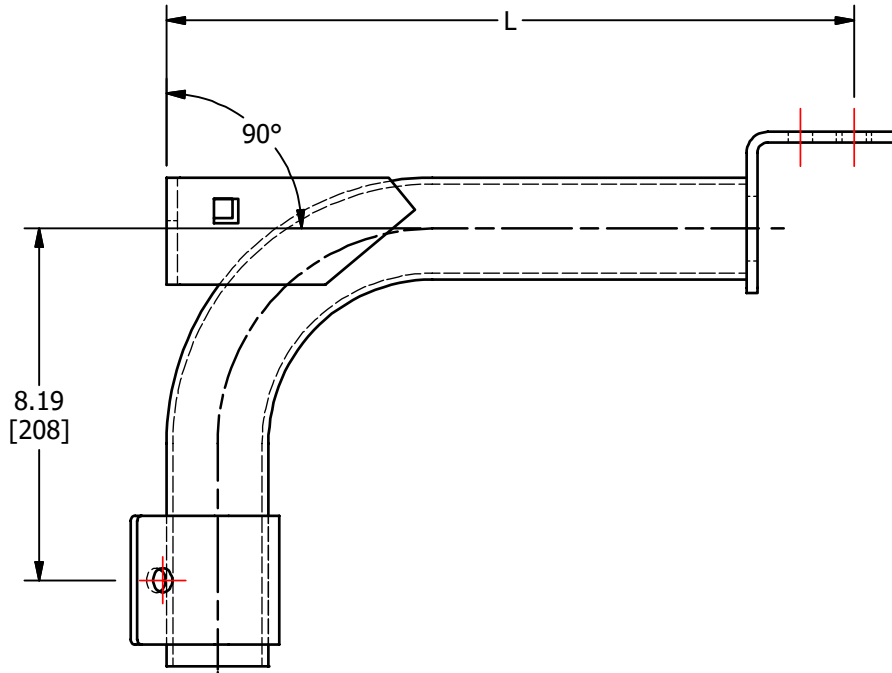
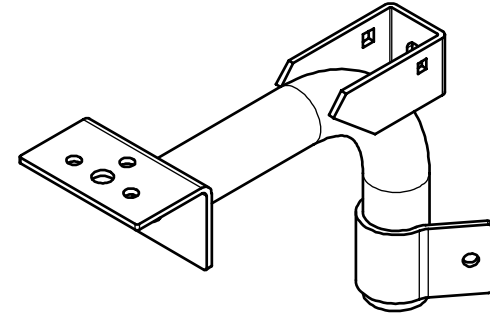
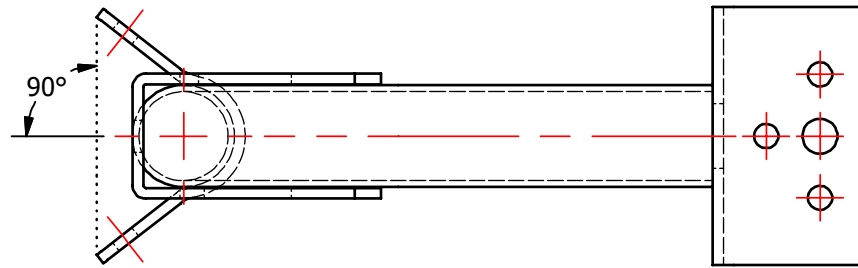


| S.NO | CATALOG NUMBER | L |
|------|----------------|-------------|
| 1 | BAFL-16 | 16 [406] |
| 2 | BAFL-18 | 18 [457] |
| 3 | BAFL-20 | 20 [508] |
| 4 | BAFL-24 | 24 [610] |



| | | | | | | | | |
|------|---------------------|-----|----------|-------|-------------------------------------|----------------------|------------------------|------------------|
| | | | | | TO ORDER CMC PRODUCTS | DRAWN BY: TS | NAME OF PART: | CAT. NO.: |
| | | | | | UNITED STATES 1-513-860-4455 | 04-01-20 | FLOODLIGHT BRACKETS | SEE TABLE |
| | | | | | CANADA 1-800-361-6975 | CHECKED BY: | DWG NO: | A |
| | | | | | MEXICO 011-52-722-265-4400 | | UB20700518-S (CHARTED) | |
| A | NEW DRAWING CREATED | | 04-01-20 | TS | FOR PRODUCT INFO www.cmdlugs.com | DRAWING NOT TO SCALE | | SHEET NO: 1 OF 1 |
| REV. | DESCRIPTION | ECN | DATE | INIT. | | | | |

THIS INFORMATION IS PROPRIETARY TO CONNECTOR MFG. CO. AND IS NOT TO BE DISCLOSED OUTSIDE OF CONNECTOR MFG. CO. WITHOUT A CONFIDENTIALITY AGREEMENT



CONNECTOR MANUFACTURING CO.

HAMILTON, OHIO

